

# LT-GK-UFO-100W



Saves up to 70% energy as compared to existing highbay fixtures  
Stylish and modern design and a lower profile  
Designed for indoor lowbay or highbay application  
IP65 rated for dry, damp, and wet locations  
Microwave motion sensor optional  
Daylight sensor optional  
Yoke mount bracket optional  
PL reflector optiona

## Driver Info

Type: Constant Current  
Voltage: AC120-277V  
Input Watts: 100W  
Efficiency: 84%

## LED Info

Watts: 100W  
Color Temp: 3500K-5000K  
Color Accuracy: >80  
L70 Lifespan: 100000  
Lumens: 14000  
Efficacy: 140 LPW

## Technical Specifications

### Listings

#### ETL Listing:

Suitable for damp locations with cord and hook.

#### DLC Listed:

This product is on the Design Lights Consortium (DLC) Qualified Products List and is eligible for rebates from DLC Member Utilities.

#### IESNA LM-79 & IESNA LM-80 Testing:

Li-Tian LED luminaires have been tested by an independent laboratory in accordance with IESNA LM-79 and 80.

### Electrical

#### Driver:

Constant Current, 800mA, Class 1 with 4 kV surge protection, 100-277VAC, 50/60 Hz.

#### THD:

8.2% at 120V, 11.2% at 277V

#### Power Factor:

99% at 120V, 91.3% at 277V

### LED Characteristics

#### Lifespan:

100,000-hour LED lifespan based on IES LM-80 results and TM-21 calculations.

#### LEDs:

Multi-chip, high-output, long-life LEDs(cree3030).

#### Color Stability:

LED color temperature is warrantied to shift no more than 200K in CCT over a 5 year period.

#### Color Consistency:

3-step MacAdam Ellipse binning to achieve consistent fixture-to-fixture color.

#### Color Uniformity:

Li-Tian's range of CCT (Correlated Color Temperature) follows the guidelines of the American National Standard for Specifications for the Chromaticity of Solid State Lighting (SSL) Products, ANSI C78.377-2017.

### Construction

#### Cold Weather Starting:

SuitableFor use in 40°C (104°F) ambient temperatures.

#### Cold Weather Starting:

Minimum starting temperature is -40°C (-40°F).

#### Thermal Management:

Superior heat sinking with external Air-Flow fins.

#### Housing:

Precision die-cast aluminum housing.

#### Mounting:

Heavy-duty 3/4" NPS hook and 3-foot safety chain; is also 3/4" pendant mount-capable (pendant by others).

#### Lens:

Tempered glass.

#### Reflector:

Specular vacuum metallized polycarbonate.

#### Recommended Mounting Height:

29ft.

#### Gaskets:

High-temperature silicone

#### Finish:

Our environmentally friendly polyester powder coatings are formulated for high-durability and long-lasting color.

#### Green Technology:

Mercury and UV free. RoHS compliant components. Polyester powder coat finish formulated without the use of VOC or toxic heavy metals.

#### Light induction ( Optional ):

Extra photocell sensor available

### Other

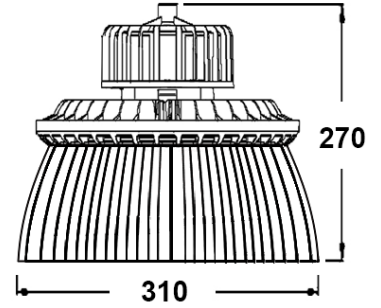
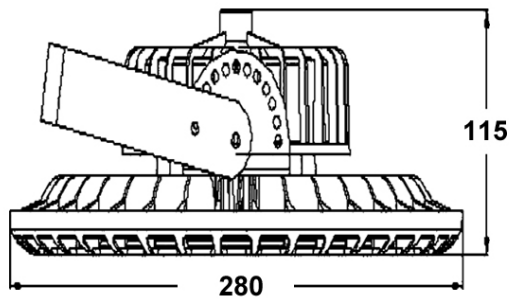
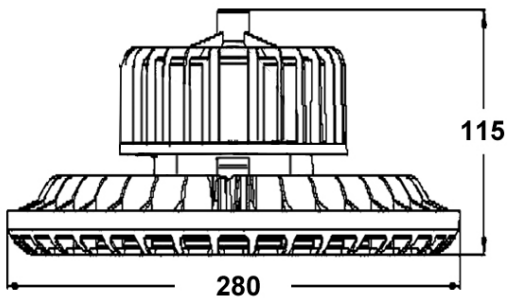
#### Replacement:

Replaces 308W Metal Halide.

# LT-GK-UFO-100W

## Dimensions

unit:mm



Net Weight:3KG

## Installation



## Accessories

### Description:

Microwave motion sensor optional



## Learn More

Tel: +86-760-23757187

Fax: +86-760-23757185

Website: [www.ilitianled.com](http://www.ilitianled.com)

ADD: Block B 4/F, No.2 Yihui 2nd Road Maohui Industry, Sisha, Henglan Town, Zhongshan City, Guangdong Province, China.