

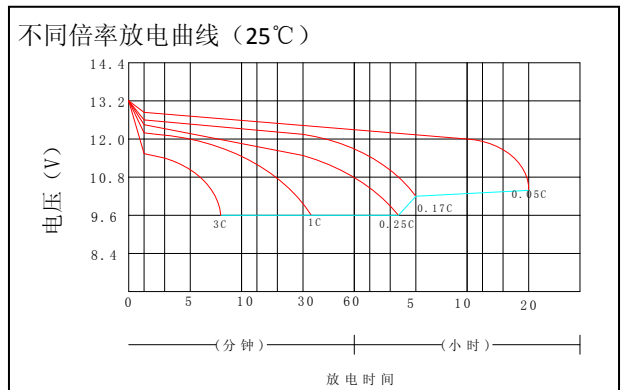
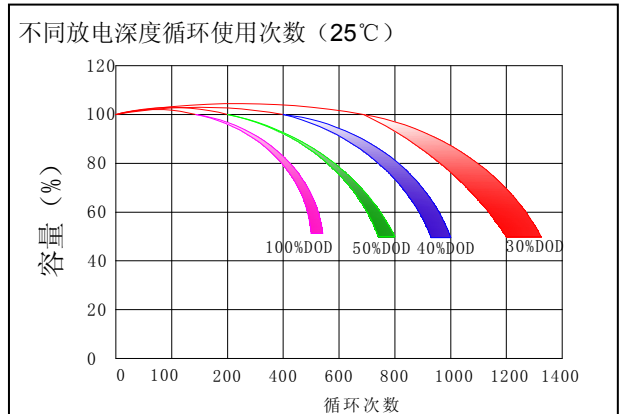
# 3-EVF-190(6V190AH/3HR)

LONG WAY 3-EVF-190 is one of the Deep Cycle series of Kaiying Power Supply & Electrical Equip Co.,Ltd. The series adopt new materiel, new technology, new process, with higher weight ratio of energy and good resistance to vibration performance, a good consistency, high charge rate, deep discharge recovery, low self discharge, sealed and maintenance free. It is quiet suitable for using as electrical system of electric road vehicles, applications widely in low speed electric vehicles, golf car travel car, old scooter, electrical wheel chair, electric sanitation vehicles and police patrol car etc.

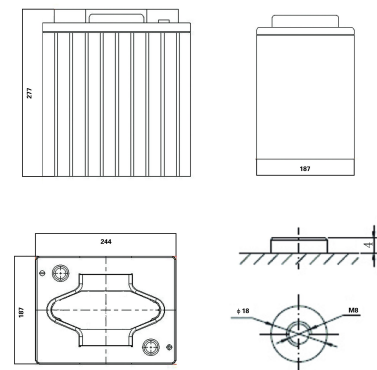


**Specification:**

|                                  |                               |  |
|----------------------------------|-------------------------------|--|
| Nominal Voltage (V)              |                               | 6V   |
| The Open Circuit Voltage (V)     |                               | 6.45—6.66V   |
| Cells per Unit                   |                               | 3  |
| Discharge Capacity at 25 °C (AH) | 1Hr-rate(105Ato1.60Vper cell) | 138.7AH  |
|                                  | 2Hr-rate(66Ato1.60Vper cell)  | 180.5AH  |
|                                  | 3Hr-rate(50Ato1.70Vper cell)  | 190.0AH  |
|                                  | 5Hr-rate(32Ato1.75Vper cell)  | 237.5AH  |
| Average weight/kg                |                               | 34.5kg   |
| Container material               |                               | ABS(UL94-HB)   |
| Charge voltage/V                 | Float charge (V)              | 6.90---7.05V   |
|                                  | Cycle (V)                     | 7.20---7.50V   |
| Maximum discharge current/A      |                               | 950A   |
| Reasonable charge current/A      |                               | 38.0A  |
| Terminal type                    |                               | F12  |
| Screw stem                       |                               | M8 stem  |
| 25°C Self discharge rate         |                               | Less than3% per month  |
| Operate temperature range        |                               | Discharge: -15~50°C<br>Charge: -15°C~40°C<br>Storage: -15°C~40°C |



**Dimensions:** length 244±2mm; width 187±2mm; height 277±2mm; total height 277±2mm



Address: KaiYing Industrial, ChengXiang Town, AnXi, QuanZhou, Fujian, China

Tel: 0595-68782266 Fax: 0595-68782222

Web: [www.longwaybattery.com](http://www.longwaybattery.com) Email: [sales@longwaybattery.com](mailto:sales@longwaybattery.com)

Version number: A0 April, 2015

Statement: The information is just a profile of product, not a guarantee of any battery. The parameters of battery could be modified independently without