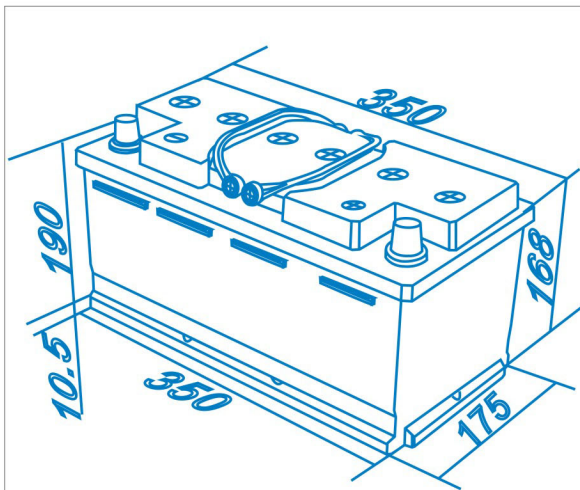




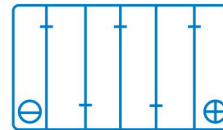
59219 12V 92 AH

TYPE	DIN Gr. No.	L 5
	EIN Type	592019064
	DIN Type	59219
Nominal Voltage (v)		12 (v)
Capacity	20 Hr (ah)	92AH
	RC (min)	158
CCA (-18°C)	EN (A)	640A
	DIN (A)	395A
Dimension ±1mm	Length	350mm (13.781inches)
	Width	175mm (6.89inches)
	Height	190mm (7.48inches)
	Total Height	190mm (7.48inches)
Approx Weight	Dry (kg)	
	Wet (kg)	

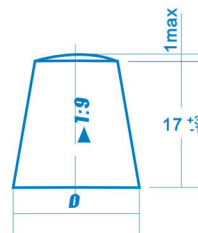


Dimensions

### Layout



### Terminal



D	
+	-
19.5 <sup>+0.3</sup>	17.9 <sup>+0.3</sup>

Layout and Type