

产品介绍/Introduction

产品杂散电感小、过电流能力强，体积小容量大。广泛应用于各类供电系统机车、逆变系统、常规电源柜输出侧配合电抗器L，组成就地或集中无功补偿装置，提高电网功率因素，降低能耗。

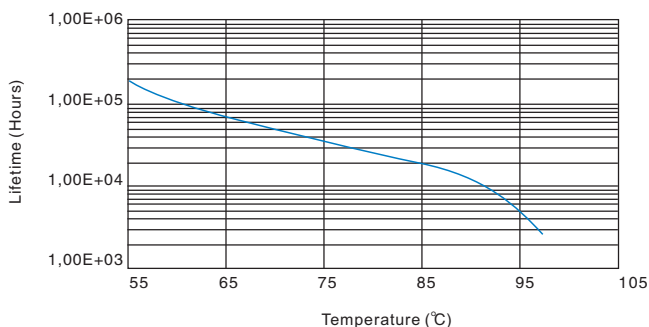
Low stray inductance, Strong over-current capability, Large capacitance small size. Widely used in all kinds of power supply system of locomotive, inverter system, LC filter circuit in conventional power supply for improving power factor, reducing energy consumption.

性能指标/Technical data

引用标准 Reference	GB/T12747 (IEC60831)
容量范围 Capacitance	5~60kVar
容量偏差 Capacitance Tol.	5% (J) , 10%(K)
电压范围 Voltage	250V.AC~1000V.AC
额定频率 Rated frequency	50/60Hz
极间耐压 U_{T-T}	2.15Urms/2s(50/60Hz)
极壳耐压 U_{T-C}	2Un+2000V.AC/10s (50/60Hz)
过电压 Over Voltage	1.1Un (8h/24h)
	1.15Un (30min/24h)
	1.2Un (5min/24h)
	1.3Un (1min/24h)
损耗角正切 $\text{tg } \delta$	$\text{tg } \delta \leq 0.0015$ (1kHz 20°C 5°C 1V.AC)
放电电阻 R	$R \leq \frac{t}{k \cdot C \cdot \ln \frac{\sqrt{2}U_n}{U_r}}$
瞬间过电流 In Rush Current	200In
气候类别 Climatic Category	40/70/56
工作温度范围 Operating Temp.	-40°C~70°C (θ h.s \leq 85°C)
储存温度范围 Storage Temp.	-40°C~85°C
使用海拔 Max.Altitude	< 2000m
预期寿命 Lifetime Expectancy	50000h (θ h.s=70°C)
防爆等级 Explosion-proof Grade	P0、P2级
封装方式 Encapsulation	干式 (K) /油式 (G)

注：海拔使用高度超过2000m，应该考虑海拔对冷却和绝缘的影响。
1.15Urms过电压是以电容器在整个寿命过程中不超过200次为前提。

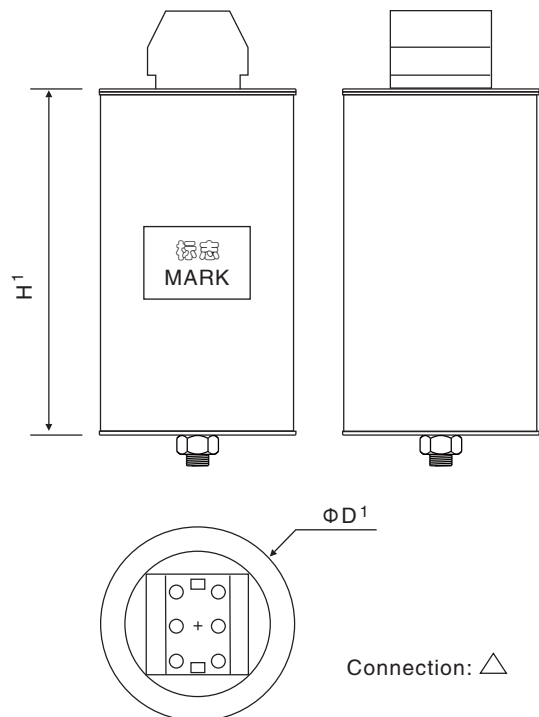
预期使用寿命/Lifetime expectancy for AKMJ/AGMJ



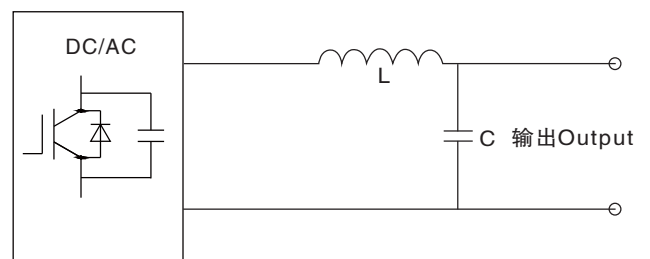
预期使用寿命/Lifetime Expectancy (hours)



外型及尺寸/Outline drawing



典型线路图/Typical circuit



C: Metalized film AC Output filter capacitor