

产品介绍/Introduction

采用金属化聚丙烯薄膜进行无感式卷绕，特殊喷金工艺，迈拉胶带封装，阻燃环氧树脂灌封，铜插片、铜螺母或铜螺栓引出。具有体积小，杂散电感小，过电流能力强，稳定性好的特点，广泛应用于各类电源，逆变器，感应加热等设备，与功率输出变压器初级作串联连接，作耦合隔直作用。

Non-inductive winding with metallized polypropylene film, and special metal spray, Mylar tape encapsulation, flame retardant epoxy potting, copper nut or sheet terminal. Small size, Low stray inductance, Good over-current capability, Stability characteristics. Widely used in all kinds of power supply, inverter, such as induction heating equipment. Series connection with power output transformer primary for coupling and blocking.

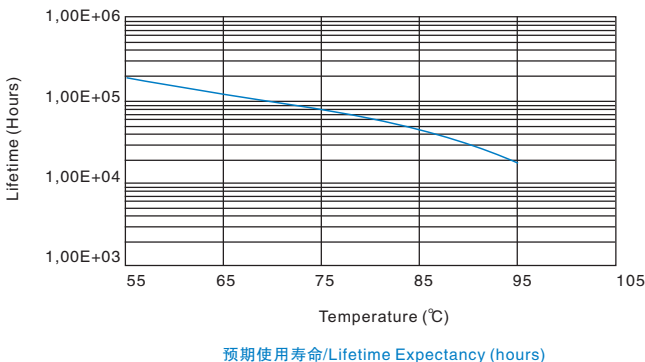


性能指标/Technical data

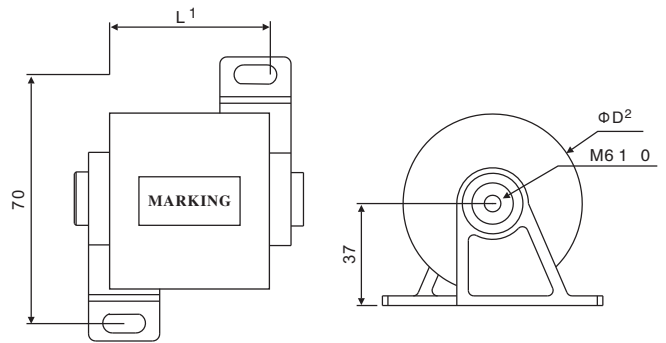
引用标准 Reference	GB/T17702, IEC61071
容量范围 Capacitance	1~60 μ F
容量偏差 Capacitance Tol.	5% (J), 10%(K)
电压范围 Voltage	200V.AC~800V.AC /600V.DC~2000V.DC
极间耐压 U_{T-T}	1.75Un/60s
过电压 Over Voltage	1.1Un (8h/24h)
	1.15Un (30min/24h)
	1.2Un (5min/24h)
	1.3Un (1min/24h)
介质损耗角 $\text{tg } \delta$	$\text{tg } \delta \leq 0.0002$
绝缘电阻 R_{iXCn}	$\geq 5000s (20^\circ\text{C } 5^\circ\text{C } 100V.DC 60s)$
耐电流冲击能力 dv/dt	$> 50V/\mu s$
气候类别 Climatic Category	40/85/21
工作温度范围 Operating Temp.	$-40^\circ\text{C} \sim 85^\circ\text{C} (\theta_{h.s} \leq 85^\circ\text{C})$
储存温度范围 Storage Temp.	$-40^\circ\text{C} \sim 85^\circ\text{C}$
引出方式 Lead Methods	插片、铜螺母、铜螺栓
使用海拔 Max. Altitude	$< 2000m$
预期寿命 Lifetime Expectancy	100000h ($\theta_{h.s} = 70^\circ\text{C}$)
封装形式 Encapsulation	白色环氧

注：海拔使用高度超过2000m，应该考虑海拔对冷却和绝缘的影响。
1.15Un过电压是以电容器在整个寿命过程中不超过200次为前提。

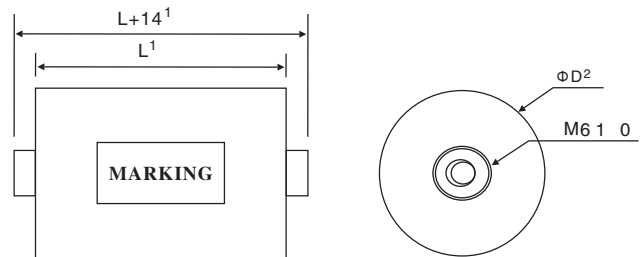
预期使用寿命/Lifetime expectancy for MKP-C



外型及尺寸/Outline drawing

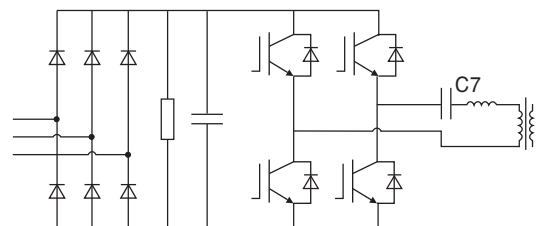


Outline drawing A...



Outline drawing B...

典型线路图/Typical circuit



C7: AC coupling/AC filter capacitor