

产品介绍/Introduction

采用金属化聚丙烯薄膜进行无感式卷绕，特殊喷金工艺，阻燃塑料壳或迈拉胶带封装，阻燃环氧树脂灌封，镀锡铜线、铜插片或铜螺母引出。具有体积小，电流大，温升低，杂散电感小，长寿命等优点，广泛应用于UPS、小功率变频器、逆变器、电镀电源、逆变焊机、感应加热等电力电子设备用作直流滤波。

Non-inductive winding with metallized polypropylene film, special metal spray, flame retardant plastic shell or mylar tape encapsulation, flame retardant epoxy potting, tin plated copper wire, copper sheet or copper nut terminal. small size and large current, low temperature rise, low stray inductance, long lifetime, widely used in UPS, small power inverter, inverter, plating power supply, inverter welding machine, induction heating power for dc filter.

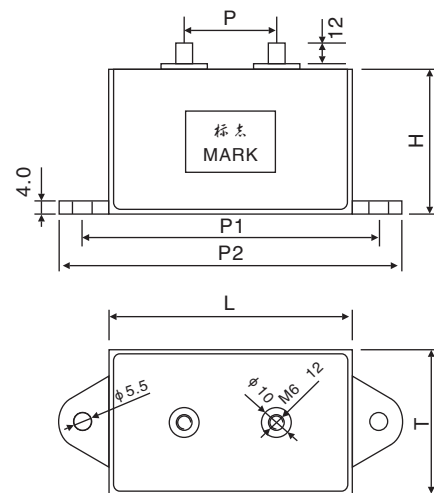


性能指标/Technical data

引用标准 Reference	GB/T17702, IEC61071
容量范围 Capacitance	1~150 μ F
容量偏差 Capacitance Tol.	5% (J), 10% (K)
电压范围 Voltage	400V.DC~1600V.DC
极间耐压 U_{T-T}	1.5Un/10s 1.1Un (30% of on-load-dur.)
过电压 Over Voltage	1.15Un (30min/day) 1.2Un (5min/day) 1.3Un (1min/day)
介质损耗角 $tg \delta_o$	$tg \delta_o \leq 0.0002$
绝缘电阻 $RiXCn$	$\geq 5000s (20^\circ C 5^\circ C 100V.DC 60s)$
耐电流冲击能力 dv/dt	$> 50V/\mu s$
气候类别 Climatic Category	40/85/21
工作温度范围 Operating Temp.	$-40^\circ C \sim 85^\circ C (\theta h.s \leq 85^\circ C)$
储存温度范围 Storage Temp.	$-40^\circ C \sim 85^\circ C$
最大电极扭矩 Torque of terminals	M6:3.5N.m M8:6N.m
使用海拔 Max.Altitude	$< 2000m$
预期寿命 Lifetime Expectancy	100000h ($\theta h.s=70^\circ C$)
封装形式 Encapsulation	迈拉胶带或塑料外壳，黑色或白色环氧
阻燃性 Flame retardation	UL94V-0

注：海拔使用高度超过2000m，应该考虑海拔对冷却和绝缘的影响。

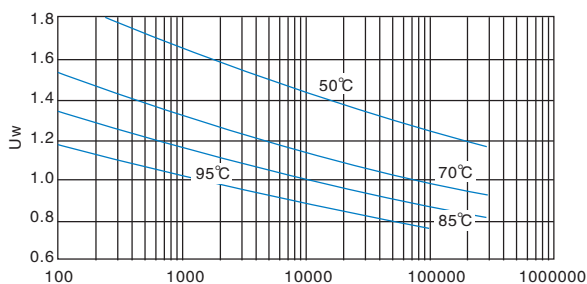
外型及尺寸/Outline drawing



Outline drawing A...

Cn(μ F)	Un(V.DC)	L(mm)	T(mm)	H(mm)	P(mm)	P1(mm)	P2(mm)
30	800	75	50	44	28	99.5	105
40	800	75	50	44	27.2	99.5	105

预期使用寿命/Lifetime expectancy for MKP-LS



预期使用寿命/Lifetime Expectancy (hours)

工作电压/Uw: permanent working or operating DC-voltage

典型线路图/Typical circuit

