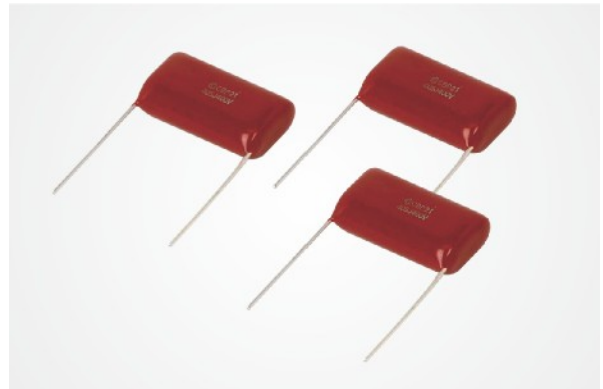


产品介绍/Introduction

产品为金属化聚丙烯薄膜卷绕而成，无感结构，单向引出，采用特殊的喷金及包封工艺，专门模拟点火设备老化。有绝缘电阻高、可反复充放电、容量稳定 频率特性好的特点，广泛用于风扇控制板、LED等降压电路。

The products are made of metalized polypropylene film, non-inductive construction, radial tinned wire, unique method of spraying metal and coating technology, manufacture by special ignition equipment.

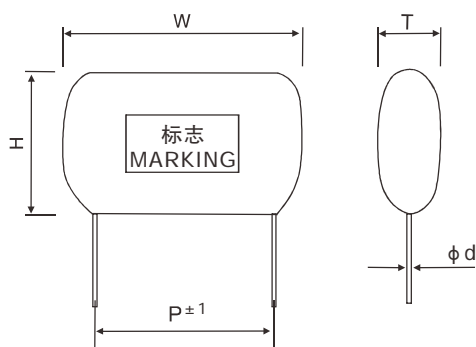
- High insulation resistance
 - Repeat charge and discharge
 - Stable capacitance and good frequency characteristics
- Widely used in step-down circuit of fan speed regulation, LED and so on.



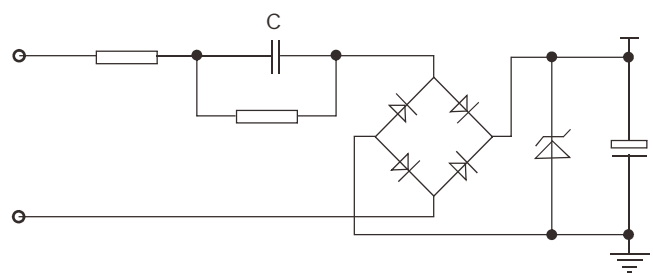
性能指标/Technical data

使用温度范围 Operating temp range	-40 °C ~ +85°C
容量范围 Capacitance range	0.01 ~ 2.2 μF
额定电压 Rated voltage	100-1600V.DC
电容量偏差 Capacitance tolerance	±5%(J)、±10%(K)
损耗角正切 Dissipation factor	tg δ ≤ 0.001(at 1kHz)
耐电压 Withstand voltage	1.75Un(10S)
绝缘电阻 Insulation resistance	C ≤ 0.33 μF Rs ≥ 15000 MΩ C > 0.33 μF C × Rs ≥ 5000S
耐电流冲击能力 Withstand strike current ability	dv/dt > 100v/μs
阻燃性 Flame retardation	UL94V-0
引用标准 Referenced standard	符合IEC 60384-17 GB/T14579-93

外型及尺寸/Outline drawing



典型线路图/Typical circuit



技术参数/Technical parameters

100V.DC

Part number	Cn (μF)	W (mm)	T (mm)	H (mm)	P (mm)	D (mm)
335010012201G	3.3	24.5	12	18.5	20	0.8

160V.DC

Part number	Cn (μF)	W (mm)	T (mm)	H (mm)	P (mm)	D (mm)
205016012201G	2.0	18	7.8	16.5	15	0.8

250V.DC

Part number	Cn (μF)	W (mm)	T (mm)	H (mm)	P (mm)	D (mm)
474025011207G	0.47	18	7.5	12	15	0.8
564025011302G	0.56	18	8	13.5	15	0.6
684025011113G	0.68	14	10	17	20	0.8
824025011201G	0.82	24	7.5	13	20	0.8

Part number	Cn (μF)	W (mm)	T (mm)	H (mm)	P (mm)	D (mm)
105025011107G	1.0	24	8.5	14	20	0.8
105025011204G	1.0	24	12	16.5	20	0.8
135025011201G	1.3	24	10	15.5	20	0.8
145025011201G	1.4	24	9.5	16.5	20	0.8