

# CR-6105A

## 3Ton Buried Scissor Lift

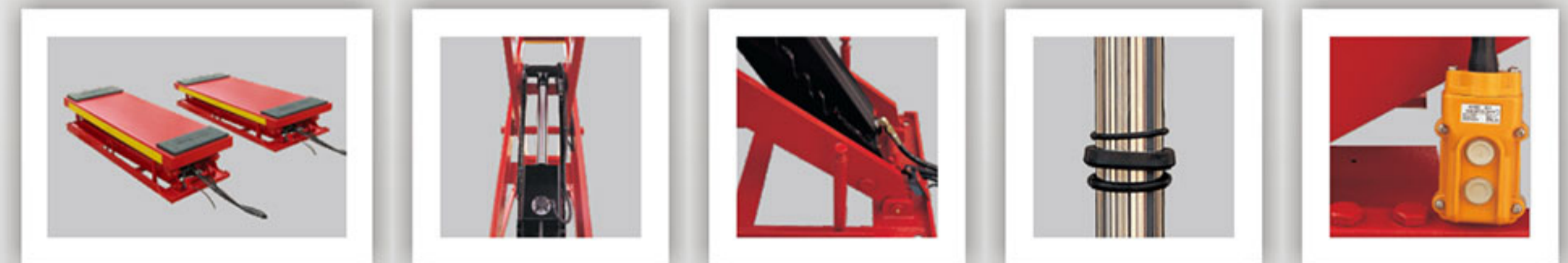
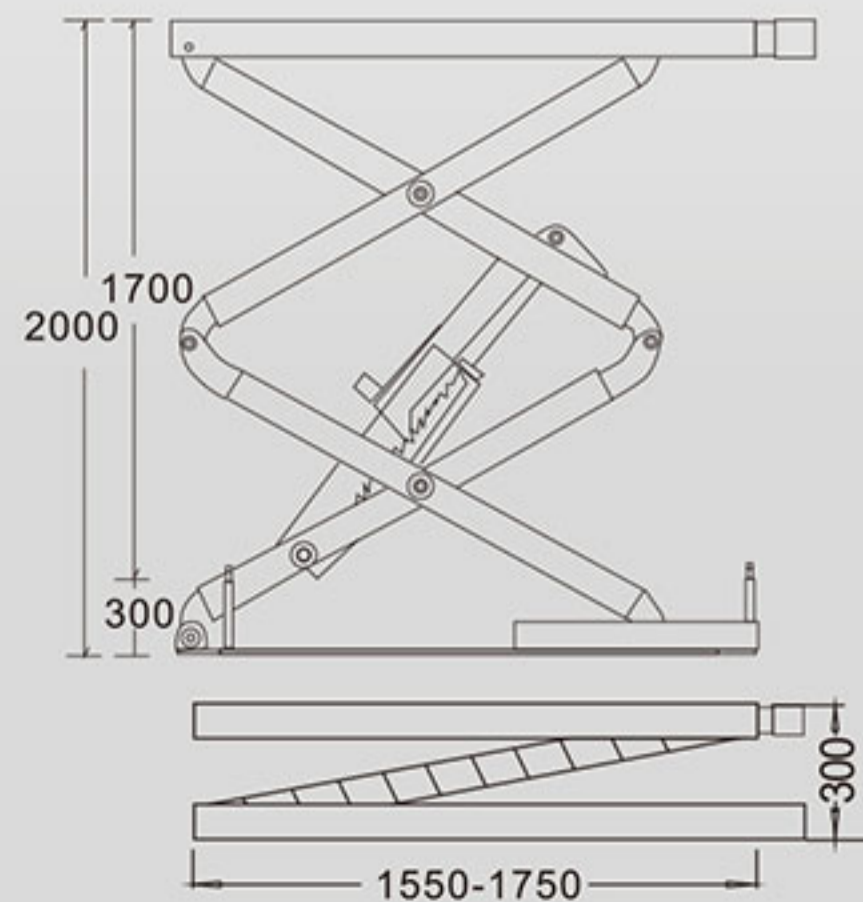
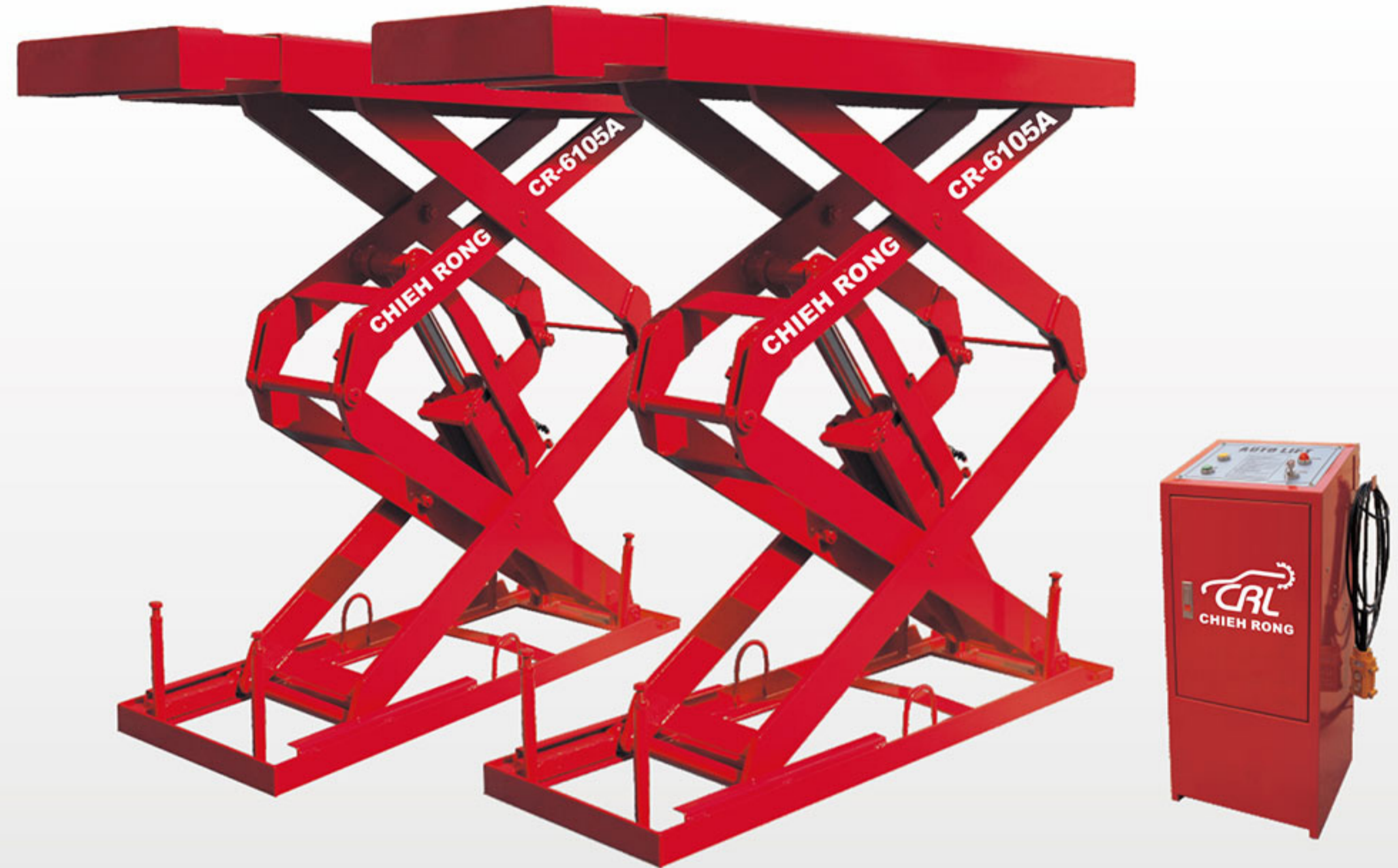
### 3吨剪式举升机

Feature:

1. Under floor installation.
2. All the pumps, seal kits of cylinder, ball valve import from Italy.
3. All the hydraulic cylinder are import from Taiwan.
4. Inside of cylinder assembly has the special treatment and make sure that it doesn't leak oil.
5. 24V control system and limited switch.
6. While switch is added, it is controlled long distance.

特点:

1. 地藏式安装。
2. 全套泵站，油缸密封件，球阀进口意大利。
3. 液压油缸进口台湾。
4. 油缸内壁镜面处理，确保油缸不漏油，保证两边同步性。
5. 24V控制系统，24V限位开关装置。
6. 外部配有拖线开关，可以远距离控制。



SPECIFICATIONS 技术参数

Load capacity 举升重量	3Ton	Power supply 电压	AC220/380V.50Hz
Horse power 马力	2HP	Max.lifting height 最大举升高度	2000mm
Power 功率	1.5kw	Raise Time 举升时间	Approx. 20sec

注：锁齿高度1900mm