

# CR-6102

## 3 Tons Full Rise Scissor Lift

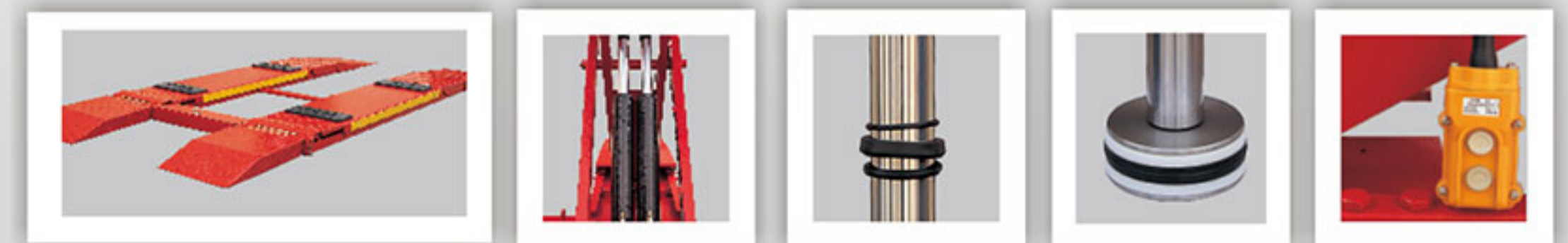
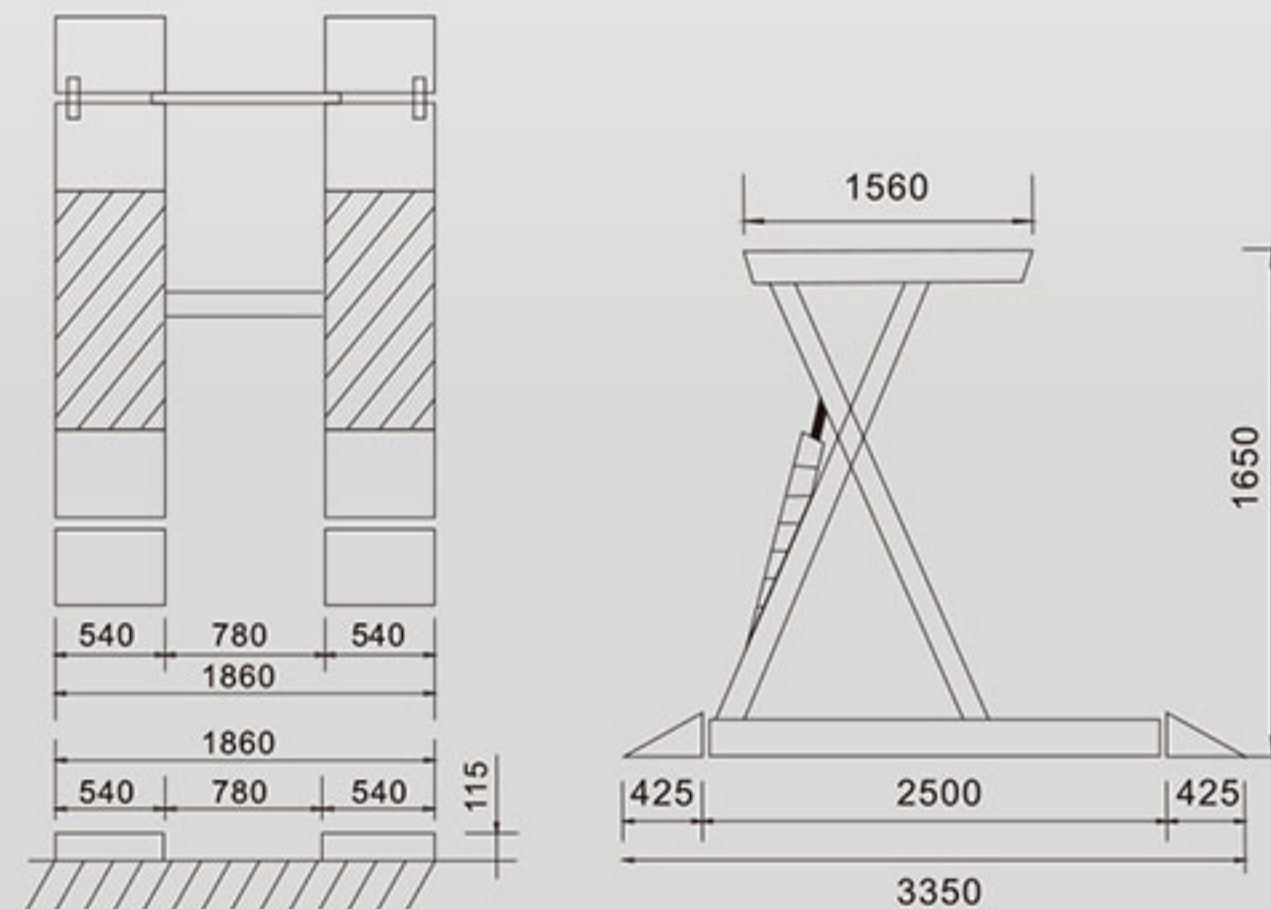
### 3吨超薄举升机

Feature:

- 1.Rigid connection between two platform ensure synchronization.
- 2.Surface mounted 115mm to ground when installed.
- 3.All the pumps , seal kits of cylinder, ball valve import from italy.
- 4.All the hydraulic cylinder are import from TaiWan.
- 5.Inside of cylinder assy has the special treatment and make sure that is doesn't leak oil.
- 6.24V control system and limited switch.
- 7.While switch is added, it is controlled long distantly.

特点:

- 1.同步上升下降。
- 2.地面式安装，最低高度115mm。
- 3.全套泵站，油缸密封件，球阀进口意大利。
- 4.液压油缸进口台湾。
- 5.油缸内壁镜面处理，确保油缸不漏油，保证两边同步性。
- 6.24V控制系统，24V限位开关装置。
- 7.外部配有拖线开关，可以远距离控制。



#### SPECIFICATIONS 技术参数

Load capacity 举升重量	3Ton	Power supply 电压	AC220/380V.50Hz
Horse power 马力	2HP	Max.lifting height 最大举升高度	1650mm
Power 功率	1.5kw	Raise Time 举升时间	Approx. 12sec

注：锁齿高度1550mm