

CR-6109

3.5 Tons Wheel Alignment Scissor Lift

3.5 吨大剪平板式四轮定位举升机

Feature:

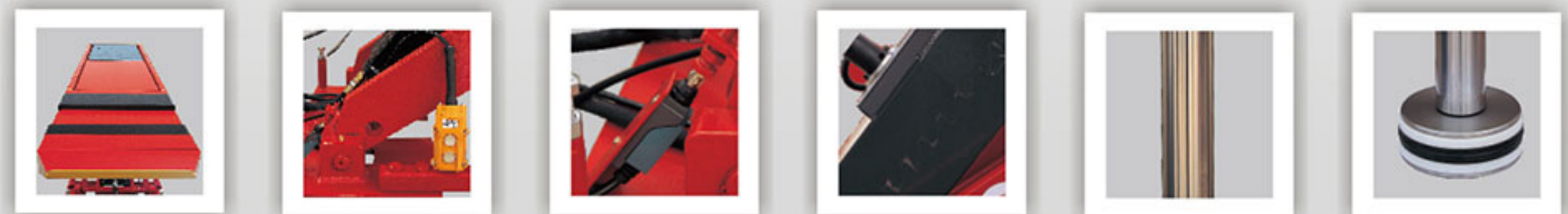
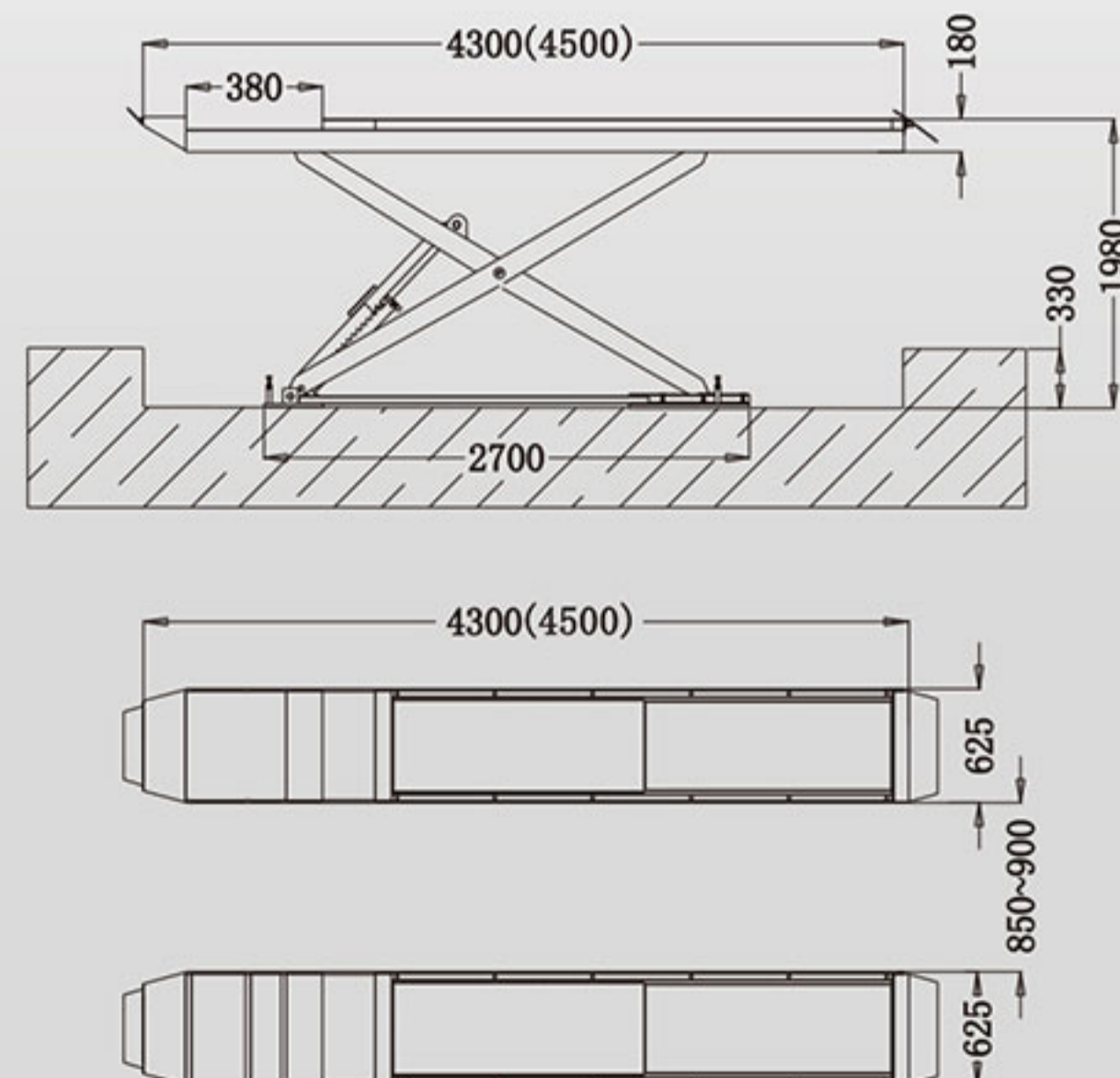
1. Turnplate is mobile and available for various kind of cars.
2. All the pumps, seal kits of cylinder, ball valve import from Italy.
3. All the hydraulic cylinder are import from TaiWan.
4. Inside of cylinder assy has the special treatment and make sure that it doesn't leak oil.
5. 24V control system and limited switch.
6. While switch is added, it is controlled long distantly.
7. With secondary jack optional.

特点:

1. 前轮转角盘位置可调整, 适合各种车型。
2. 全套泵站, 油缸密封件, 球阀进口意大利。
3. 液压油缸进口台湾。
4. 油缸内壁镜面处理, 确保油缸不漏油, 保证两边同步性。
5. 24V控制系统, 24V限位开关装置。
6. 外部配有拖线开关, 可以远距离控制。
7. 配有二次举升导轨可选配二次举升小车。
8. 2015年推出平板长度4500MM, 下单请注明



Optional: Secondary Jack
可选: 二次举升小车



SPECIFICATIONS

Load capacity 举升重量	3.5Ton	Power supply 电压	AC220/380V.50Hz
Horse power 马力	3HP	Max.lifting height 最大举升高度	1980mm
Power 功率	2.2kw	Raise Time 举升时间	Approx. 12sec

注: 锁齿高度1850mm